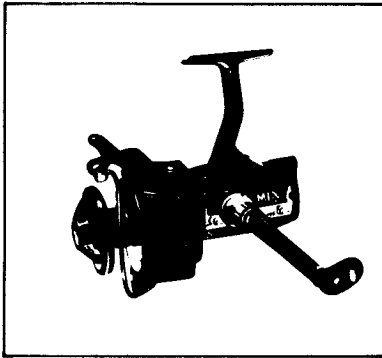


SHIMANO

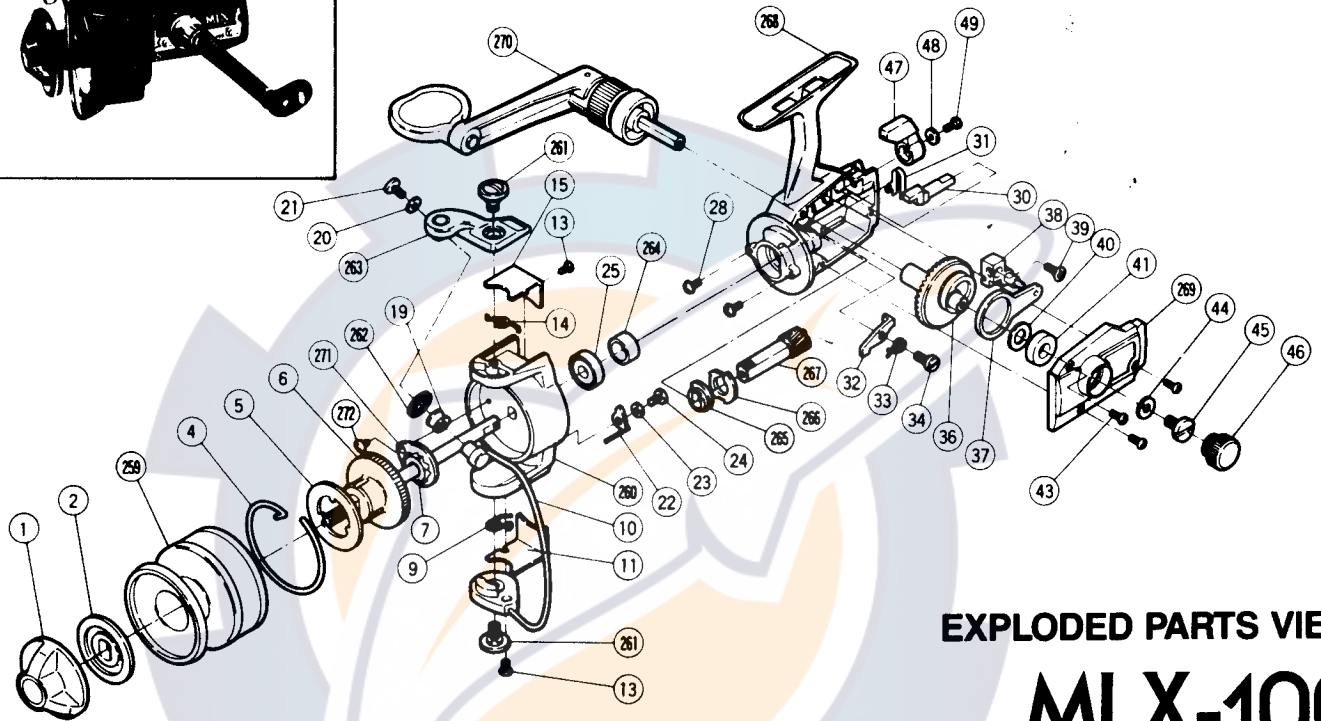
1987 REPAIR MANUAL

Shimano American Corporation, One Shimano Dr.
Irvine, CA 92718



TO ORDER:

This reel belongs to the "MLX, MLZ" series.
Please order parts using the abbreviation
"MLX" and the part number.



EXPLODED PARTS VIEW MLX-100

PARTS LIST

PART # DESCRIPTION

- 1. Drag Adjusting Knob
- 2. Drag Disk
- 4. Click Spring
- 5. Base Drag Disk
- 6. Spindle
- 7. Rotor Nut
- 9. Trip Lever Spring
- 10. Bail Wire
- 11. Trip Lever Cover
- 13. Cover Screw
- 14. Bail Spring
- 15. Bail Spring Cover
- 19. Roller Line Guide
- 20. Line Guide Screw
Lock Washer
- 21. Line Guide Screw
- 22. Trip Lever
- 23. Spacer Washer
- 24. Trip Lever Screw
- 25. Ball Bearing
- 28. Bearing Retainer
Screw

PART # DESCRIPTION

- 30. Anti Reverse Shaft
- 31. Anti Reverse Shaft
Spring
- 32. Anti Reverse Dog
- 33. Anti Reverse Dog
Spring
- 34. Anti Reverse Dog
Screw
- 36. Drive Gear
- 37. Oscillation Guide
- 38. Oscillation Block
- 39. Oscillation Block
Screw
- 40. Drive Gear Spacer
- 41. Drive Gear Bushing
- 43. Side Plate Screw
- 44. Lock Washer
- 45. Handle Screw
- 46. Dust Cap
- 47. Anti Reverse Lever
- 48. Anti Reverse Lever
Lock Washer

PART # DESCRIPTION

- 49. Anti Reverse Lever
Screw
- 259. Spool
- 260. Rotor
- 261. Bail Screw
- 262. Line Guide Spacer
- 263. Quickfire Trigger
- 264. Bearing Spacer
- 265. Self Center Ratchet
- 266. Anti Reverse
Lockout
- 267. Pinion Gear
- 268. Housing
- 269. Side Plate
- 270. Handle
- 271. Rotor Nut Lock
- 272. Rotor Lock Screw